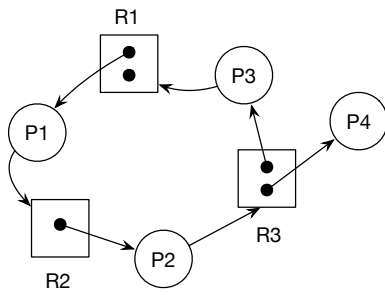


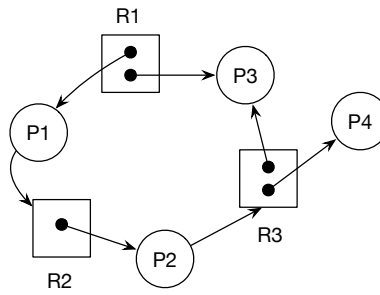
CSCI 315 Operating Systems Design  
Activity 16

---

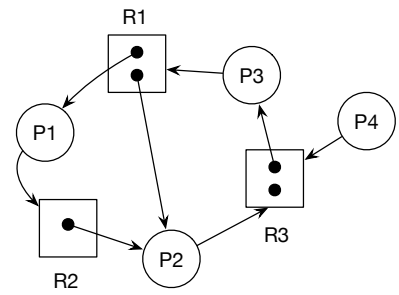
- 1) Consider the following resource allocation graphs and indicate for each one whether it depicts a deadlock state.



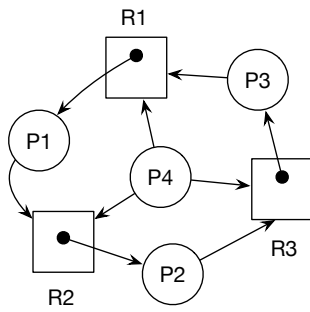
(A)



(B)



(C)



(D)

- 2) Transform graphs (C) and (D) into *wait-for* graphs and explain any difficulties that may arise.
- 3) Describe the restrictions and the advantages of working with *wait-for* graphs as compared to working with state allocation graphs for deadlock detection.